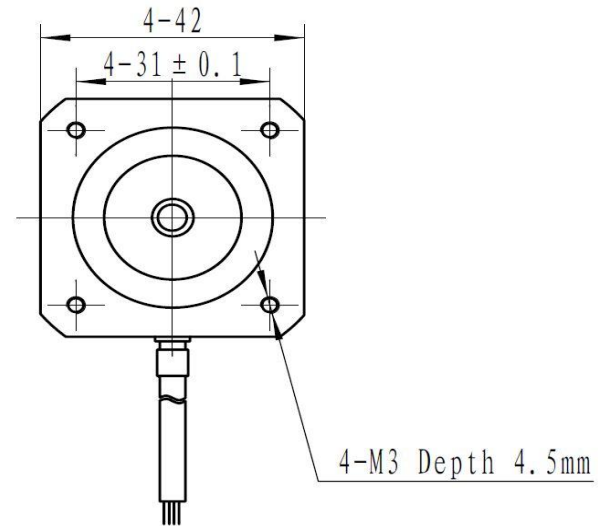
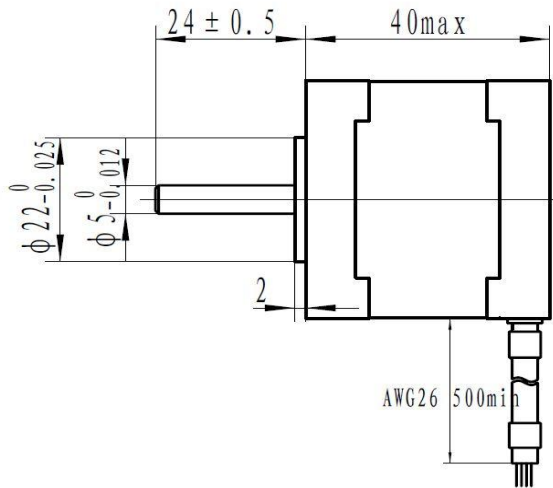
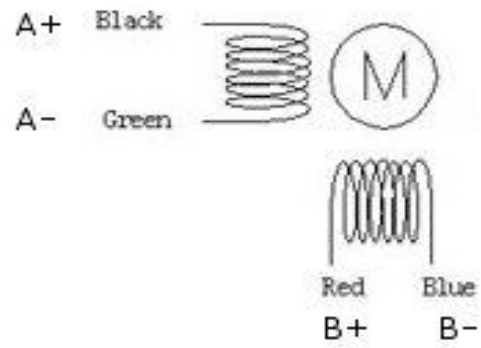


DIMENSIONS	units = mm
-------------------	------------



SPECIFICATIONS	BIPOLAR PARALLEL						
Lenght (A)	40	mm					
Phase	2	Phase					
Step angle	0.9'	/step					
Voltage	2	V					
Current	2	A					
Resistance	1	ohm					
Inductance	2.8	mH					
Holding torque	0.32	Nm					
Insulations class	B						STM42-40
							JB CNC & Linear Components

INKOPPLING



STM42-40
JB CNC & Linear Components