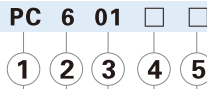


PC, POC series

Ordering code



① Model	② Port size	③ Thread connection		④ Standard color		⑤ Thread type
PC: Male connector 	4: Φ 4mm 6: Φ 6mm 8: Φ 8mm 10: Φ 10mm 12: Φ 12mm	Thread connection	Adaptable port size	Standard color	Specification	Blank: PT
POC: Male connector 		M5: M5X0.8	Φ 4, Φ 6	Blank: Gray	Release button: Gray	
		01: 1/8" 02: 1/4" 03: 3/8" 04: 1/2"	Φ 4, Φ 6 Φ 8, Φ 10 Φ 12	D: Black	Release button: Black	

Specification

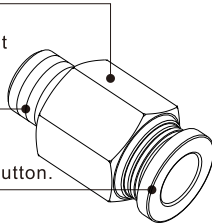
Operating pressure range	0~10kgf/cm ² (0~1.0MPa)
Negative pressure	-750mmHg(10Torr)
Proof pressure	1.5MPa
Ambient and fluid temperature (°C)	-20~70
Applicable tubing	Soft nylon or polyurethane
Color	Gray/black

Table for interface port and tube O.D.

Product series	Thread type	Port size				
		Φ 4	Φ 6	Φ 8	Φ 10	Φ 12
PC	1/8"	●	●	●	●	●
	1/4"	●	●	●	●	●
	3/8"		●	●	●	●
	1/2"			●	●	●
POC	M5	●	●			
	1/8"	●	●	●	●	
	1/4"	●	●	●	●	●
	3/8"			●	●	●
	1/2"			●	●	●

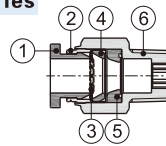
Product feature

- The compact appearance space saving.
- The threaded portion is covered with sealant to prevent air leakage over the connection thread portion.
- Gray and black are optional for the release button.



Inner structure

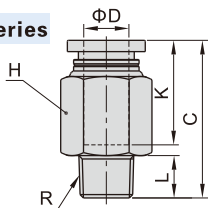
PC Series



No.	Item	Material
1	Release button	POM
2	Guide	Aluminum alloy
3	Spring gasket	Stainless steel
4	Chuck	POM
5	O-ring	NBR
6	Body	Brass

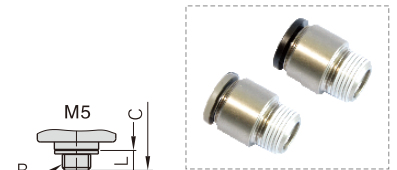
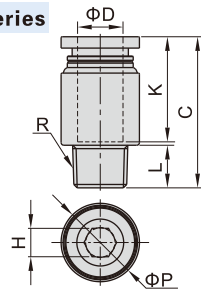
Dimensions

PC Series



Model/Item	Φ D	R	L	C	K	H(Across flat)	Weight(g)	PCS/bag
PC401	4	PT1/8	7.5	19.5	14	10	7	10
PC402	4	PT1/4	10	19.5	14	14	13.5	10
PC601	6	PT1/8	7.5	22.0	18.5	12	7.5	10
PC602	6	PT1/4	10	24.5	18.5	14	15.5	10
PC603	6	PT3/8	11	22.5	18.5	17	24	10
PC604	6	PT1/2	14	26.0	18.5	21	46	10
PC801	8	PT1/8	7.5	28	18.5	14	13.5	10
PC802	8	PT1/4	10	27	18.5	14	13	10
PC803	8	PT3/8	11	23.5	18.5	17	21	10
PC804	8	PT1/2	14	27	18.5	21	43.5	10
PC1001	10	PT1/8	7.5	30	21	17	20.5	10
PC1002	10	PT1/4	10	32.5	21	17	24	10
PC1003	10	PT3/8	11	28	21	17	20.5	10
PC1004	10	PT1/2	14	26.5	21	21	36	10
PC1201	12	PT1/8	7.5	32.5	23	21	38.5	10
PC1202	12	PT1/4	10	35	23	21	40.5	10
PC1203	12	PT3/8	11	30.5	23	21	28.5	10
PC1204	12	PT1/2	14	32.5	23	21	41.5	10

POC Series



Model/Item	Φ D	R	Φ P	L	C	K	H(Across flat)	Weight(g)	PCS/bag
POC4M5		M5×0.8	9	3.5	18.5	14	2.5	3.6	10
POC401	4	PT1/8	10	7.5	18	14	3	5.5	10
POC402	4	PT1/4	14	10	19.5	14	3	12.6	10
POC6M5		M5×0.8	12	3.5	21.5	16.5	2	5.9	10
POC601	6	PT1/8	12	7.5	22.0	18.5	4	6.3	10
POC602	6	PT1/4	14	10	22.0	18.5	4	11.8	10
POC801	8	PT1/8	14	7.5	26.5	18	5	9.9	10
POC802	8	PT1/4	14	10	25	18	6	10.1	10
POC803	8	PT3/8	17	11	23.5	18	6	19.3	10
POC1001	10	PT1/8	17	7.5	30	21	5	16.5	10
POC1002	10	PT1/4	17	10	29	21	6	15.4	10
POC1003	10	PT3/8	17	11	28	21	8	18.7	10
POC1004	10	PT1/2	21	14	26.5	21	8	35.3	10
POC1202	12	PT1/4	21	10	34.5	23	6	32.3	10
POC1203	12	PT3/8	21	11	30	23	8	25.1	10
POC1204	12	PT1/2	21	14	32	23	8	37.5	10

Accessories—One-Touch Fittings

PC, PL mini series

Ordering code

PC 6 01 □ □ - M

① ② ③ ④ ⑤ ⑥

① Model	② Port size	③ Thread connection		④ Standard color		⑤ Thread type	⑥ Style type
PC: Male connector 	4: Φ 4mm 6: Φ 6mm	Thread connection	Adaptable port size	Standard color	Specification	Blank: PT	M: Mini type
PL: Male elbow 		01: 1/8"	Φ 4, Φ 6	Blank: Gray D: Black	Release button: Gray Release button: Black		

Specification

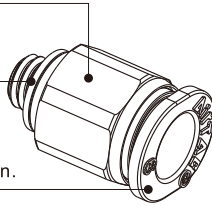
Operating pressure range	0~10kgf/cm²(0~1.0MPa)
Negative pressure	-750mmHg(10Torr)
Proof pressure	1.5MPa
Ambient and fluid temperature (°C)	-20~70
Applicable tubing	Soft nylon or polyurethane
Color	Gray/black

Table for interface port and tube O.D.

Product series	Thread type	Port size	
		Φ 4	Φ 6
PC/PL	1/8"	●	●

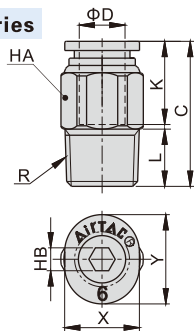
Product feature

1. The compact appearance space saving.
2. The threaded portion is covered with sealant to prevent air leakage over the connection thread portion.
3. Gray and black are optional for the release button.

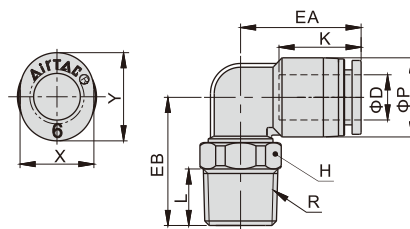


Dimensions

PC Series



PL Series



Model\Item	Φ D	R	L	C	K	X	Y	HA	HB	Weight(g)	PCS/bag
PC401-M	4	PT1/8	7.5	17.5	13.5	7.8	9.5	10	3	5.5	10
PC601-M	6	PT1/8	7.5	19.0	15.5	9.8	11.7	10	4	6.0	10

Model\Item	Φ D	R	Φ P	L	K	EA	EB	H	X	Y	Weight(g)	PCS/bag
PL401-M	4	PT1/8	8.5	7.5	12.5	15	16	10	7.8	9.5	6.2	10
PL601-M	6	PT1/8	10.5	7.5	13.5	16.0	16.5	10	9.8	11.7	6.8	10

One-touch fittings—threaded type

Ordering code

Same diameter type fittings **PL 6 01** □ □

① ② ③ ④ ⑤

① Model	② Port size	③ Thread connection	④ Standard color		⑤ Thread type
PHW: Double universal male elbow 	PL: Male elbow 	Thread connection	Standard color	Specification	Adaptable model
PHF: Universal female elbow 	PLL: Extended male elbow 	Adaptable port size	Blank: Gray	Release button: Gray	PCF PMF
PEB: Male branch tee 	PLF: Female elbow 	4: Φ4mm 6: Φ6mm 8: Φ8mm 10: Φ10mm 12: Φ12mm	D: Black	Body: Gray	Others
PED: Male run tee 	PCF: Female connector 	01: 1/8" 02: 1/4" 03: 3/8" 04: 1/2"		Release button: Black	PCF PMF
PYB: Branch "Y" 	PMF: Bulkhead connector 			Release button: Black	Others
PZB: Threaded cross 	PH: Universal male elbow 			Body: Black	

Different diameter type fittings **PKD 6 - 4 01** □ □

① ② ③ ④ ⑤ ⑥

① Model	② Port size	③ Port size	④ Thread connection	⑤ Standard color	⑥ Thread type
PKD: Male reducer triple branch 	6: Φ6mm 8: Φ8mm 10: Φ10mm	4: Φ4mm 6: Φ6mm 8: Φ8mm	01: 1/8" 02: 1/4" 03: 3/8"	Standard color: Blank: Gray D: Black	Specification: Release button: Gray/Body: Gray Release button: Black/Body: Black

Specification

Operating pressure range	0~10kg/cm ² (0~1.0MPa)
Negative pressure	-750mmHg(10Torr)
Proof pressure	1.5MPa
Ambient and fluid temperature (°C)	-20~70
Applicable tubing	Soft nylon or polyurethane
Color	Gray/black

Product feature

- Variable models can be widely used in every kind of pneumatic systems.
- High circulation performance: bear the same flow with the volume of the tubing inside diameter.
- Connect tubing easily and conveniently. The tubing connection portion is safe and durable.
- The threaded portion is covered with sealant is attached with a sealing gasket to prevent air leakage over the connection thread portion.
- The nickel plated body is anti-corrosion and anti-pollution, which allows a broader application.

Inner structure

No.	Item	Material
1	Release button	POM
2	Guide	Aluminum alloy
3	Spring gasket	Stainless steel
4	Chuck	POM
5	O-ring	NBR
6	Body	PBT
7	O-ring	NBR
8	Stud	Brass

Table for interface port and tube O.D.

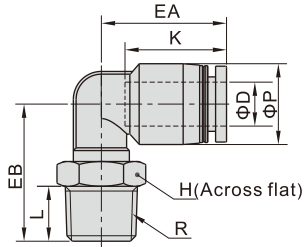
Product series	Thread type	Port size				
		Φ4	Φ6	Φ8	Φ10	Φ12
PL	1/8"	●	●	●	●	●
	1/4"	●	●	●	●	●
	3/8"	●	●	●	●	●
PLL	1/8"	●	●	●	●	●
	1/4"	●	●	●	●	●
	3/8"	●	●	●	●	●
PEB PED PYB	1/8"	●	●	●	●	●
	1/4"	●	●	●	●	●
	3/8"	●	●	●	●	●
PH PHF	1/8"	●	●	●	●	●
	1/4"	●	●	●	●	●
	3/8"	●	●	●	●	●
PHW	1/8"	●	●	●	●	●
	1/4"	●	●	●	●	●
	3/8"	●	●	●	●	●
PZB	1/8"	●	●	●	●	●
	1/4"	●	●	●	●	●
	3/8"	●	●	●	●	●

Product series	Thread type	Port size		
		Φ6-Φ4	Φ8-Φ6	Φ10-Φ8
PKD	1/8"	●		
	1/4"		●	
	3/8"			●

One-touch fittings—threaded type

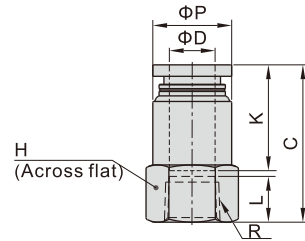
Dimensions

PL Series



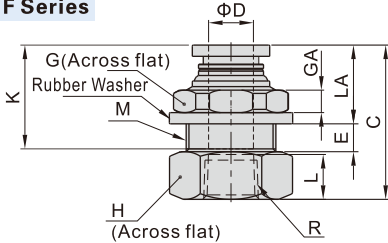
Model\Item	ΦD	R	ΦP	L	K	EA	EB	H	Weight(g)	PCS/bag
PL401	4	PT1/8	9	7.5	14	17	18.5	10	4.5	10
PL402		PT1/4	9	10	14	17	22.0	14	12	10
PL601	6	PT1/8	12.5	7.5	17	20	20.5	10	6	10
PL602		PT1/4	12.5	10	17	20	24.0	14	13.5	10
PL603		PT3/8	12.5	11	17	20	25.5	17	20.5	10
PL604		PT1/2	12.5	14	17	20	30.0	21	36	10
PL801	8	PT1/8	15	7.5	18.5	23	20.5	10	7.5	10
PL802		PT1/4	15	10	18.5	23	25.0	14	13	10
PL803		PT3/8	15	11	18.5	23	26.5	17	21	10
PL804		PT1/2	15	14	18.5	23	31.0	21	36	10
PL1001	10	PT1/8	18	7.5	21	25.5	25.0	17	16.5	10
PL1002		PT1/4	18	10	21	25.5	27.0	17	19	10
PL1003		PT3/8	18	11	21	25.5	28.0	17	21	10
PL1004		PT1/2	18	14	21	25.5	32.5	21	37	10
PL1201	12	PT1/8	21	7.5	23	28.5	26.5	17	19	10
PL1202		PT1/4	21	10	23	28.5	28.5	17	21.5	10
PL1203		PT3/8	21	11	23	29.5	33	17	25.5	10
PL1204		PT1/2	21	14	23	29.5	34	21	37	10

PCF Series



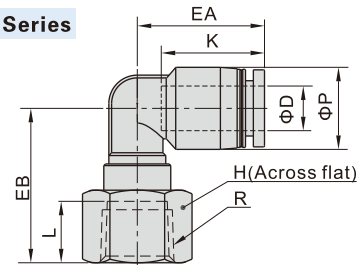
Model\Item	ΦD	R	ΦP	L	C	K	H	Weight(g)	PCS/bag
PCF401	4	PT1/8	9.5	8	23	14	14	4.5	10
PCF402		PT1/4	9.5	11	26	14	17	6.5	10
PCF601	6	PT1/8	12.5	8	25.5	16.5	14	5.6	10
PCF602		PT1/4	12.5	11	28.5	16.5	17	7.5	10
PCF603		PT3/8	13	12	29.5	16.5	21	10.7	10
PCF604		PT1/2	13	13.5	31.0	16.5	25	13.8	10
PCF801	8	PT1/8	14	8	27.5	18.5	14	5.8	10
PCF802		PT1/4	14.5	11	30.5	18.5	17	8.4	10
PCF803		PT3/8	14.5	12	31.5	18.5	21	11.2	10
PCF804		PT1/2	14.5	13.5	33	18.5	25	14.4	10
PCF1001	10	PT1/8	17	8	29	21	17	9.5	10
PCF1002		PT1/4	17	11	33	21	17	9.9	10
PCF1003		PT3/8	18	12	34	21	21	14	10
PCF1004		PT1/2	18	13.5	35.5	21	25	17.1	10
PCF1202	12	PT1/4	21	11	33.5	23	21	17.5	10
PCF1203		PT3/8	21	12	35.5	23	21	16.6	10
PCF1204		PT1/2	21	13.5	37	23	25	19.7	10

PMF Series



Model\Item	ΦD	R	M	L	C	K	LA	E	GA	G	H	Weight(g)	PCS/bag
PMF401	4	PT1/8	M12X1	8	25	14	12	4	4	14	14	6.4	10
PMF402		PT1/4	M12X1	11	29	14	12	4	4	14	17	9	10
PMF601	6	PT1/8	M14X1	8	25.5	16.5	12.5	5	4	17	17	9.1	10
PMF602		PT1/4	M14X1	11	30.5	16.5	12.5	5	4	17	17	10.9	10
PMF603		PT3/8	M14X1	12	31.5	16.5	12.5	5	4	17	21	13.2	10
PMF801		PT1/8	M16X1	8	27.5	18.5	13.5	5.5	4	19	19	12.8	10
PMF802	8	PT1/4	M16X1	11	32	18.5	13.5	5.5	4	19	19	15.7	10
PMF803		PT3/8	M16X1	12	33	18.5	13.5	5.5	4	19	21	15	10
PMF804		PT1/2	M16X1	13.5	34.5	18.5	13.5	5.5	4	19	25	18.1	10
PMF1001		PT1/8	M20X1	8	30	21	14.5	7.5	5	24	22	19.6	10
PMF1002	10	PT1/4	M20X1	11	35	21	14.5	7.5	5	24	22	22.8	10
PMF1003		PT3/8	M20X1	12	36	21	14.5	7.5	5	24	22	21.1	10
PMF1004		PT1/2	M20X1	13.5	37.5	21	14.5	7.5	5	24	25	23.2	10
PMF1202		PT1/4	M22X1	11	34.5	23	15.5	8	6	27	24	26.2	10
PMF1203	12	PT3/8	M22X1	12	37.5	23	15.5	8	6	27	24	27	10
PMF1204		PT1/2	M22X1	13.5	39	23	15.5	8	6	27	25	26.2	10

PLF Series

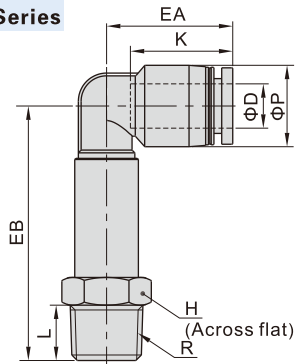


Model\Item	ΦD	R	ΦP	L	K	EA	EB	H	Weight(g)	PCS/bag
PLF401	4	PT1/8	9	8	14	17	21	14	4.6	10
PLF402		PT1/4	9	11	14	17	24	17	6.8	10
PLF601	6	PT1/8	12.5	8	17	20	23	14	5.8	10
PLF602		PT1/4	12.5	11	17	20	26	17	8	10
PLF603		PT3/8	12.5	12	17	20	27	21	10.7	10
PLF801		PT1/8	15	8	18.5	23	20	14	6.6	10
PLF802	8	PT1/4	15	11	18.5	23	27.5	17	9.2	10
PLF803		PT3/8	15	12	18.5	23	28.5	21	11.9	10
PLF804		PT1/2	15	13.5	18.5	23	30	25	15.2	10
PLF1001		PT1/8	18	8	21	25.5	24	17	11.3	10
PLF1002	10	PT1/4	18	11	21	25.5	26.5	17	11.2	10
PLF1003		PT3/8	18	12	21	25.5	30	21	14.5	10
PLF1004		PT1/2	18	13.5	21	25.5	31.5	25	17.4	10
PLF1202		PT1/4	21	11	23	28.5	28.5	17	13.7	10
PLF1203	12	PT3/8	21	12	23	29.5	32	21	17.4	10
PLF1204		PT1/2	21	13.5	23	29.5	33	25	20.4	10

Accessories—One-Touch Fittings

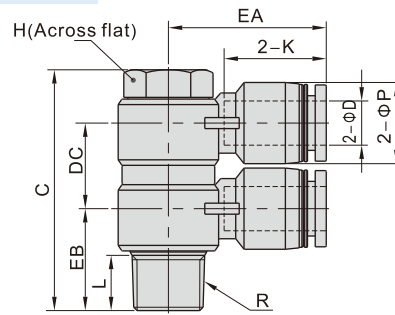
One-touch fittings—threaded type

PLL Series



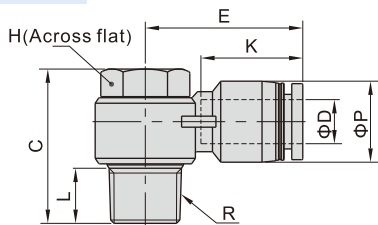
Model\Item	ΦD	R	ΦP	L	K	EA	EB	H	Weight(g)	PCS/bag
PLL401	4	PT1/8	9	7.5	14	17	35.5	10	12.3	10
PLL402	4	PT1/4	9	10	14	17	38.5	14	16.9	10
PLL601	6	PT1/8	12.5	7.5	17	20	37.5	10	13	10
PLL602	6	PT1/4	12.5	10	17	20	40.5	14	18	10
PLL603	6	PT3/8	12.5	11	17	20	43	17	23.4	10
PLL801	8	PT1/8	15	7.5	18.5	23	43.5	12	16.6	10
PLL802	8	PT1/4	15	10	18.5	23	45.5	14	22.7	10
PLL803	8	PT3/8	15	11	18.5	23	48	17	27.7	10
PLL1001	10	PT1/8	18	7.5	21	25.5	50.5	15	37.5	10
PLL1002	10	PT1/4	18	10	21	25.5	53.5	15	40.6	10
PLL1003	10	PT3/8	18	11	21	25.5	54.5	17	40.7	10
PLL1004	10	PT1/2	18	14	21	25.5	59	21	47.4	10
PLL1202	12	PT1/4	21	10	23	28.5	55.5	15	43	10
PLL1203	12	PT3/8	21	11	23	29.5	60	17	55.4	10
PLL1204	12	PT1/2	21	14	23	29.5	63	21	56.7	10

PHW Series



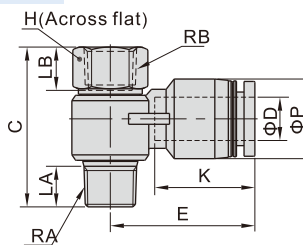
Model\Item	ΦD	R	ΦP	L	C	K	EA	EB	DC	H	Weight(g)	PCS/bag
PHW401	4	PT1/8	9	7.5	38	14	20.5	14.5	13	11	19	10
PHW601	6	PT1/8	12.5	7.5	38	16.5	23.0	15	13	11	21	10
PHW602	6	PT1/4	12.5	10	43.5	16.5	25.0	17.5	15.5	14	40.2	10
PHW603	6	PT3/8	12.5	11	50	16.5	27.0	20	16.5	19	69.2	5
PHW801	8	PT1/8	15	7.5	40.5	18.5	26.5	16.5	15.5	11	23.6	10
PHW802	8	PT1/4	15	10	43.5	18.5	28.5	18.5	15.5	14	40.8	10
PHW803	8	PT3/8	15	11	50	18.5	29.5	20	16.5	19	70.4	5
PHW804	8	PT1/2	15	14	61	18.5	32	24.5	22	24	134.8	5
PHW1002	10	PT1/4	18	10	46.5	21	31	20	18.5	14	47	10
PHW1003	10	PT3/8	18	11	55	21	33	21	22	19	87.5	5
PHW1004	10	PT1/2	18	14	61	21	35.5	25	22	24	137.7	5
PHW1203	12	PT3/8	21	11	55	23	36	23	22	19	86.4	5
PHW1204	12	PT1/2	21	14	61	23	38	26.5	22	24	147.5	5

PH Series



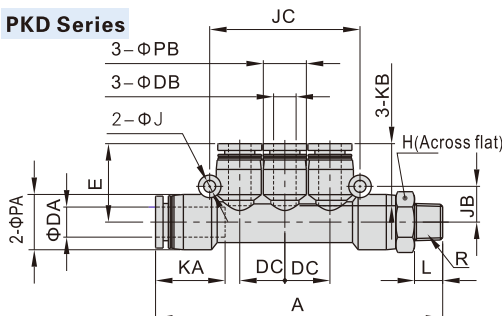
Model\Item	ΦD	R	ΦP	L	C	K	E	H	Weight(g)	PCS/bag
PH401	4	PT1/8	9	7.5	25	14	20.5	11	12.8	10
PH601	6	PT1/8	12.5	7.5	25	16.5	23	11	14	10
PH602	6	PT1/4	12.5	10	28	16.5	25	14	25.4	10
PH603	6	PT3/8	12.5	11	33	16.5	27	19	50.2	5
PH801	8	PT1/8	15	7.5	25	18.5	26.5	11	14.7	10
PH802	8	PT1/4	15	10	28	18.5	28.5	14	26.4	10
PH803	8	PT3/8	15	11	33	18.5	29.5	19	49.4	5
PH804	8	PT1/2	15	14	39	18.5	32	24	89	5
PH1002	10	PT1/4	18	10	28	21	31	14	27.7	10
PH1003	10	PT3/8	18	11	33	21	33	19	51.1	5
PH1004	10	PT1/2	18	14	39	21	35.5	24	88.5	5
PH1203	12	PT3/8	21	11	33	23	36	19	53	5
PH1204	12	PT1/2	21	14	39	23	38	24	92.8	5

PHF Series



Model\Item	ΦD	RA	RB	ΦP	LA	LB	C	K	E	H	Weight(g)	PCS/bag
PHF401	4	PT1/8	PT1/8	9	7.5	8	29.5	14	20.5	12	12.9	10
PHF601	6	PT1/8	PT1/8	12.5	7.5	8	29.5	16.5	23	12	13.9	10
PHF602	6	PT1/4	PT1/4	12.5	10	11	35	16.5	25	17	30.3	10
PHF603	6	PT3/8	PT3/8	12.5	11	12	40	16.5	27	19	44.2	5
PHF801	8	PT1/8	PT1/8	15	7.5	8	29.5	18.5	26.5	12	15	10
PHF802	8	PT1/4	PT1/4	15	10	11	35	18.5	28.5	17	30.7	10
PHF803	8	PT3/8	PT3/8	15	11	12	40	18.5	29.5	19	44.8	5
PHF804	8	PT1/2	PT1/2	15	14	13.5	47.5	18.5	32	24	84.7	5
PHF1002	10	PT1/4	PT1/4	18	10	11	35	21	31	17	32	10
PHF1003	10	PT3/8	PT3/8	18	11	12	40	21	33	19	46.2	5
PHF1004	10	PT1/2	PT1/2	18	14	13.5	47.5	21	35.5	24	86.1	5
PHF1203	12	PT3/8	PT3/8	21	11	12	40	23	36	19	48.4	5
PHF1204	12	PT1/2	PT1/2	21	14	13.5	47.5	23	38	24	89.7	5

PKD Series



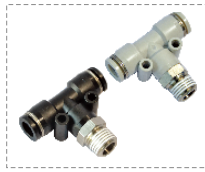
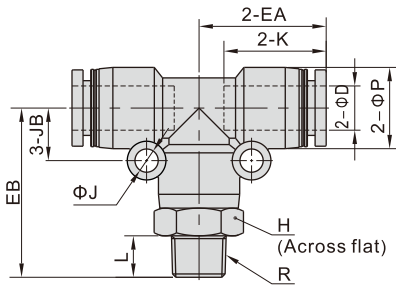
Model\Item	ΦDA	ΦDB	R	L	A	ΦPA	ΦPB	KA	KB
PKD6-401	6	4	PT1/8	7.5	66.5	12.5	9	16.5	14
PKD8-602	8	6	PT1/4	10	79	15	12.5	18.5	16.5
PKD10-803	10	8	PT3/8	11	91.5	18	15	21	18.5

Model\Item	ΦJ	JB	JC	DC	E	H	Weight(g)	PCS/bag
PKD6-401	3.2	8	34	10	17.5	12	15.8	2
PKD8-602	3.2	9.5	40	12	21	14	26.5	2
PKD10-803	4.3	11	48	14.5	24	17	38.2	2

Accessories—One-Touch Fittings

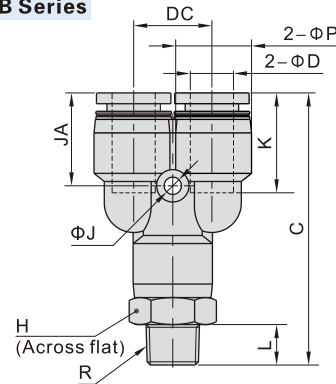
One-touch fittings—threaded type

PEB Series



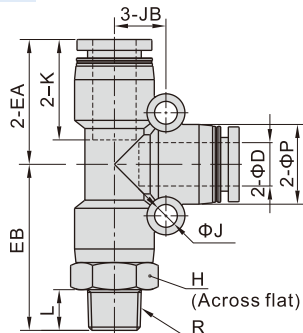
Model/Item	φD	R	φP	L	K	EA	EB	φJ	JB	H	Weight(g)	PCS/bag
PEB401	4	PT1/8	9	7.5	14	17	25	3.2	6.5	10	8.8	10
PEB402		PT1/4	9	10	14	17	28	3.2	6.5	14	15.5	10
PEB601	6	PT1/8	12.5	7.5	16.5	20	27.5	3.2	8	12	13.5	10
PEB602		PT1/4	12.5	10	16.5	20	30.5	3.2	8	14	18.6	10
PEB603	8	PT3/8	12.5	11	16.5	20	32	3.2	8	17	25.3	10
PEB801		PT1/8	15	7.5	18.5	23	30.5	4.3	9.5	14	18.4	10
PEB802	8	PT1/4	15	10	18.5	23	33	4.3	9.5	14	21.3	10
PEB803		PT3/8	15	11	18.5	23	34.5	4.3	9.5	17	28.2	10
PEB804	10	PT1/2	15	14	18.5	23	38.5	4.3	9.5	21	41	10
PEB1001		PT1/8	18	7.5	21	26.5	34	4.3	11	17	26.7	10
PEB1002	10	PT1/4	18	10	21	26.5	36.5	4.3	11	17	29.2	10
PEB1003		PT3/8	18	11	21	26.5	37.5	4.3	11	17	31.9	10
PEB1004	12	PT1/2	18	14	21	26.5	41.5	4.3	11	21	45.4	10
PEB1202		PT1/4	21	10	23	30	41	4.3	13	21	49.6	10
PEB1203	12	PT3/8	21	11	23	30	42	4.3	13	21	51.2	10
PEB1204		PT1/2	21	14	23	30	45	4.3	13	21	57.3	10

PYB Series



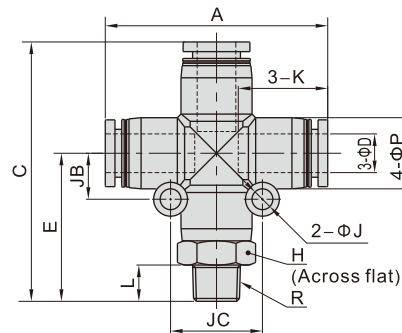
Model/Item	φD	R	φP	L	C	K	φJ	JA	DC	H	Weight(g)	PCS/bag
PYB401	4	PT1/8	9	7.5	39.5	14	3.2	13	10	10	9	10
PYB402		PT1/4	9	10	42.5	14	3.2	13	10	14	10.8	10
PYB601	6	PT1/8	12.5	7.5	44.5	16.5	3.2	15.5	12	12	13.7	10
PYB602		PT1/4	12.5	10	47.5	16.5	3.2	15.5	12	14	18.2	10
PYB603	8	PT3/8	12.5	11	49.0	16.5	3.2	15.5	12	17	25	10
PYB801		PT1/8	15	7.5	50	18.5	3.2	17	14.5	14	19.8	10
PYB802	8	PT1/4	15	10	52.5	18.5	3.2	17	14.5	14	22	10
PYB803		PT3/8	15	11	54	18.5	3.2	17	14.5	17	27.7	10
PYB804	10	PT1/2	15	14	58	18.5	3.2	17	14.5	21	40.8	10
PYB1001		PT1/8	18	7.5	56.5	21	4.3	19.5	18	17	27.4	10
PYB1002	10	PT1/4	18	10	59	21	4.3	19.5	18	17	29.5	10
PYB1003		PT3/8	18	11	60	21	4.3	19.5	18	17	32.5	10
PYB1004	12	PT1/2	18	14	64	21	4.3	19.5	18	21	45.4	10
PYB1202		PT1/4	21	10	66	23	4.3	21	20.5	21	27.3	10
PYB1203	12	PT3/8	21	11	67	23	4.3	21	20.5	21	51.8	10
PYB1204		PT1/2	21	14	70	23	4.3	21	20.5	21	56.8	10

PED Series



Model/Item	φD	R	φP	L	K	EA	EB	φJ	JB	H	Weight(g)	PCS/bag
PED401	4	PT1/8	9	7.5	14	17	25	3.2	6.5	10	8.8	10
PED402		PT1/4	9	10	14	17	28	3.2	6.5	14	15.5	10
PED601	6	PT1/8	12.5	7.5	16.5	20	27.5	3.2	8	12	13.5	10
PED602		PT1/4	12.5	10	16.5	20	30.5	3.2	8	14	18.6	10
PED603	8	PT3/8	12.5	11	16.5	20	32	3.2	8	17	25.3	10
PED801		PT1/8	15	7.5	18.5	23	30.5	4.3	9.5	14	18.4	10
PED802	8	PT1/4	15	10	18.5	23	33	4.3	9.5	14	21.3	10
PED803		PT3/8	15	11	18.5	23	34.5	4.3	9.5	17	28.2	10
PED804	10	PT1/2	15	14	18.5	23	38.5	4.3	9.5	21	41	10
PED1001		PT1/8	18	7.5	21	26.5	34	4.3	11	17	26.7	10
PED1002	10	PT1/4	18	10	21	26.5	36.5	4.3	11	17	29.2	10
PED1003		PT3/8	18	11	21	26.5	37.5	4.3	11	17	31.9	10
PED1004	12	PT1/2	18	14	21	26.5	41.5	4.3	11	21	45.4	10
PED1202		PT1/4	21	10	23	30	41	4.3	13	21	49.6	10
PED1203	12	PT3/8	21	11	23	30	42	4.3	13	21	51.2	10
PED1204		PT1/2	21	14	23	30	45	4.3	13	21	57.3	10

PZB Series



Model/Item	φD	R	L	A	E	C	φP	K	φJ	JB	JC	H	Weight(g)	PCS/bag
PZB601	6	PT1/8	7.5		27.5	47.5						12	15.2	10
PZB602		PT1/4	10	39.5	30.5	50.5	12.5	16.5	3.2	8	16	14	20.4	10
PZB603	8	PT3/8	11		32	52						17	27	10
PZB801		PT1/8	7.5		30.5	53.5						14	20.9	10
PZB802	8	PT1/4	10		33	56		15	18.5	4.3	9.5	19	23.8	10
PZB803		PT3/8	11		34.5	57.5						17	29.9	10
PZB804	10	PT1/2	14		38.5	61.5					21	43.5	10	
PZB1002		PT1/4	10		36.5	63						17	33.5	10
PZB1003	10	PT3/8	11	52.5	37.5	64	18	21	4.3	11	22	17	36.5	10
PZB1004		PT1/2	14		41.5	68						21	49.2	10
PZB1203	12	PT3/8	11		42	72	21	23	4.3	13	26	21	56.5	10
PZB1204		PT1/2	14		45	75						21	65.4	10