

4 3 2 1

F

F

När rem löst klämd = 11.1mm

Ø 4,50

37,00

65,00

50,00

47,00

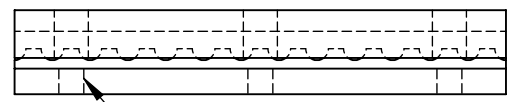
11,10

E

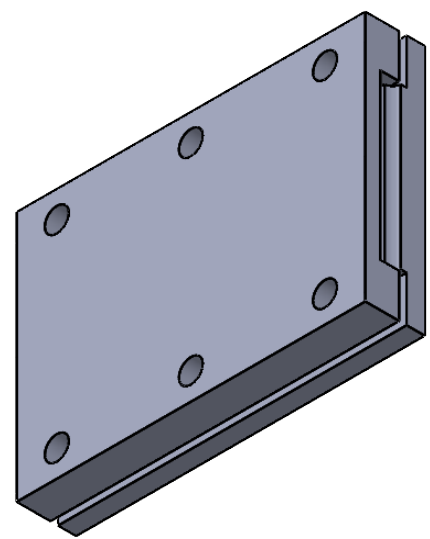
E

D

D



6x M4 i underdel



C

C

B

B

UNLESS OTHERWISE SPECIFIED:  
DIMENSIONS ARE IN MILLIMETERS  
SURFACE FINISH:  
TOLERANCES:  
LINEAR:  
ANGULAR:

FINISH:

DEBURR AND  
BREAK SHARP  
EDGES

DO NOT SCALE DRAWING

REVISION

	NAME	SIGNATURE	DATE	
DRAWN				
CHK'D				
APPV'D				
MFG				
Q.A				

TITLE:

MATERIAL:

DWG NO.

5M-W30-Plate-Assembly

M4

WEIGHT:

SCALE:1:1

SHEET 1 OF 1

4 3 2 1

A

A