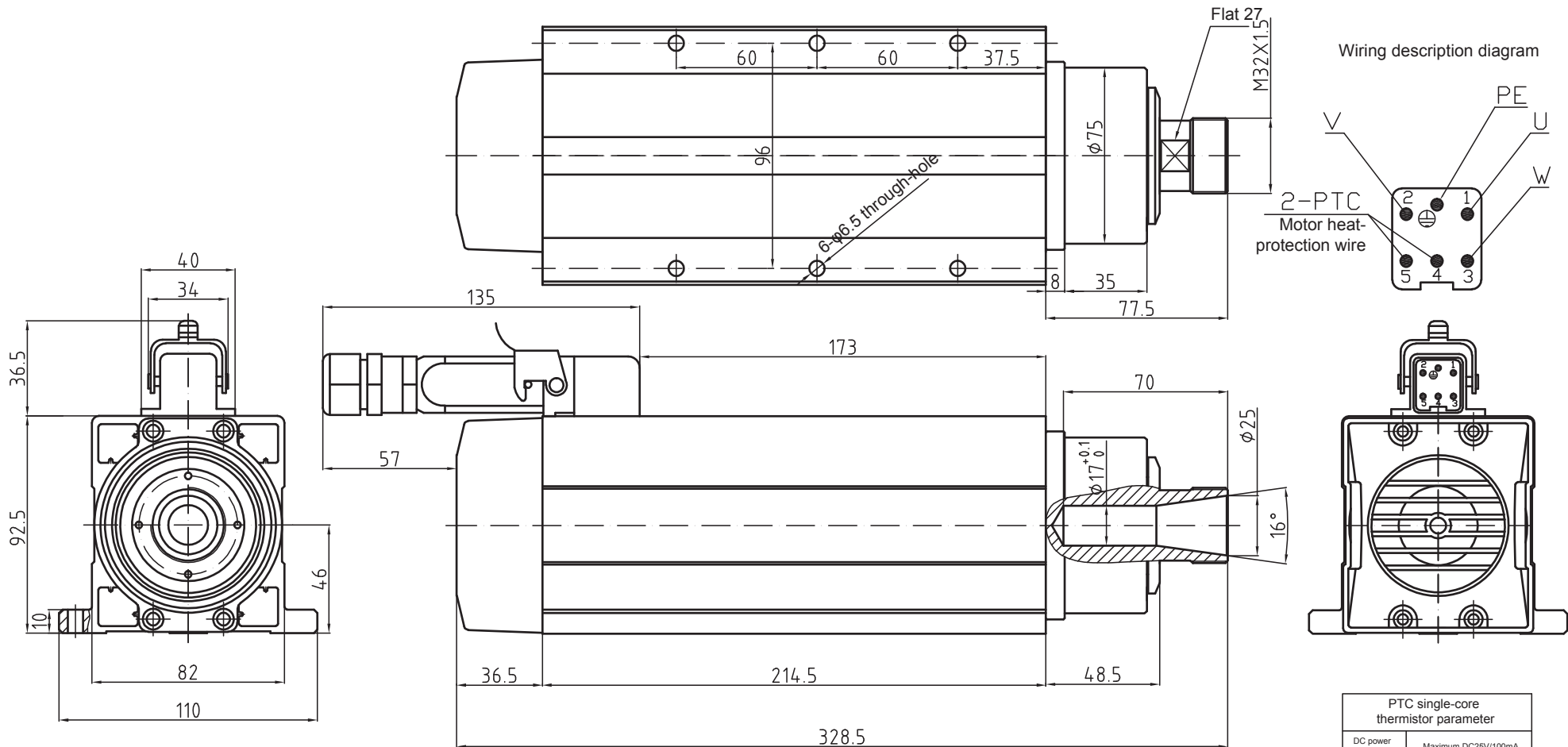


# GDF46-24Z/3.5 380V Outline diagram



GDF46-24Z/3.5 Common rotating speed in the morning peak: 2,100/min

Power	3.5 kw	Weight: 8KG
Voltage	380 V	ER nut: ER25
Current	7.0 A	Cooling method: air cooling
Frequency	400 Hz	Bearing lubrication method: grease lubrication
Rotating speed	24000 r/min	High-precision angular contact ball bearing: 2×7007C P4/2×7002C P4

Rotating direction: anticlockwise from the shaft extension end

Special attention: thread locking adhesive shall be applied or the spring washer shall be added to prevent the looseness during the installation of the fastening screw!

PTC single-core thermistor parameter	
DC power supply	Maximum DC25V/100mA
-20~25℃	≤100Ω
≤90℃	≤250Ω
105℃	≤550Ω
110℃	Rated operating temperature
115℃	≥1330Ω
≥125℃	≥4KΩ
≤160℃	Maximum storage temperature