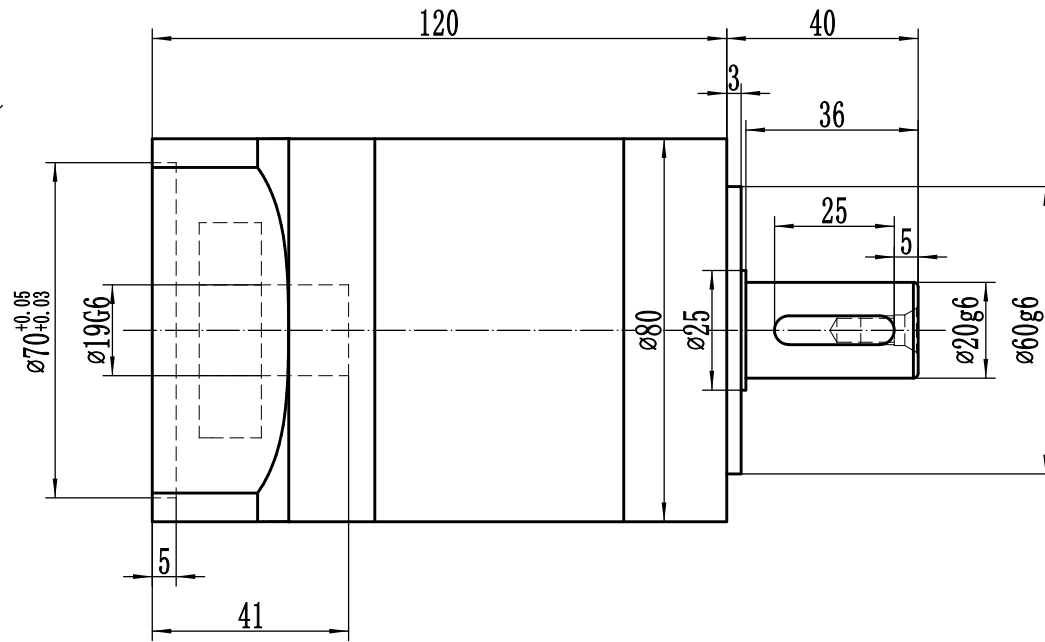
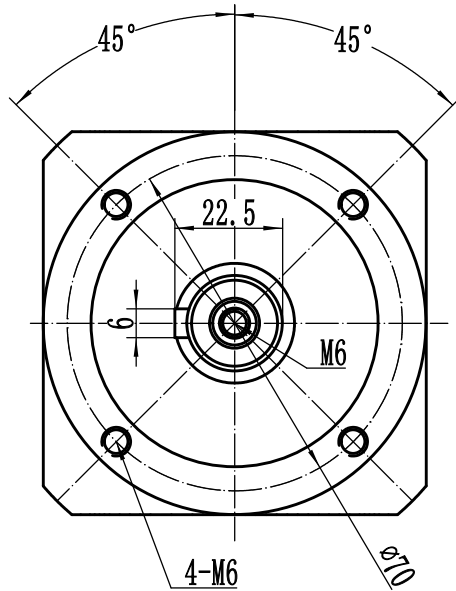


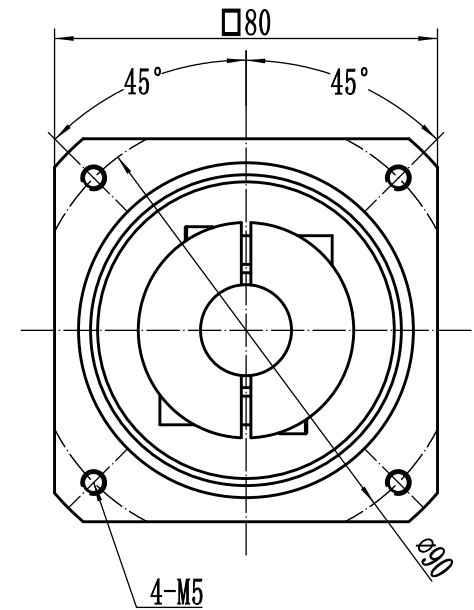
版本

A

Output



Input



Ratio	3: 1	4: 1	5: 1	6: 1	7: 1	8: 1	10: 1
Nominal Output torque	40Nm	90Nm	110Nm	40Nm	40Nm	22Nm	22Nm
Allowable Axle force	400N	IP level	IP65	Lubrication	Synthetic Lubrication oils		
Allowable radial force	420N	Service life	20000h *	Torsional rigidity	4.7Nm/arcmin		
Nominal input speed	3500rpm	Mounting position	Any directions	Efficiency η	94%		
backlash	P2 < 10arcmin						
Noise	< 63dB	Operating Temp	-10°C ~ 80°C				

* continuous working life 10000h

WPL080 Gearbox			WPL080-L1(750W) Drawing		
Viewing angle					
Stage Marker	Weight	Proportion			
		1:1			