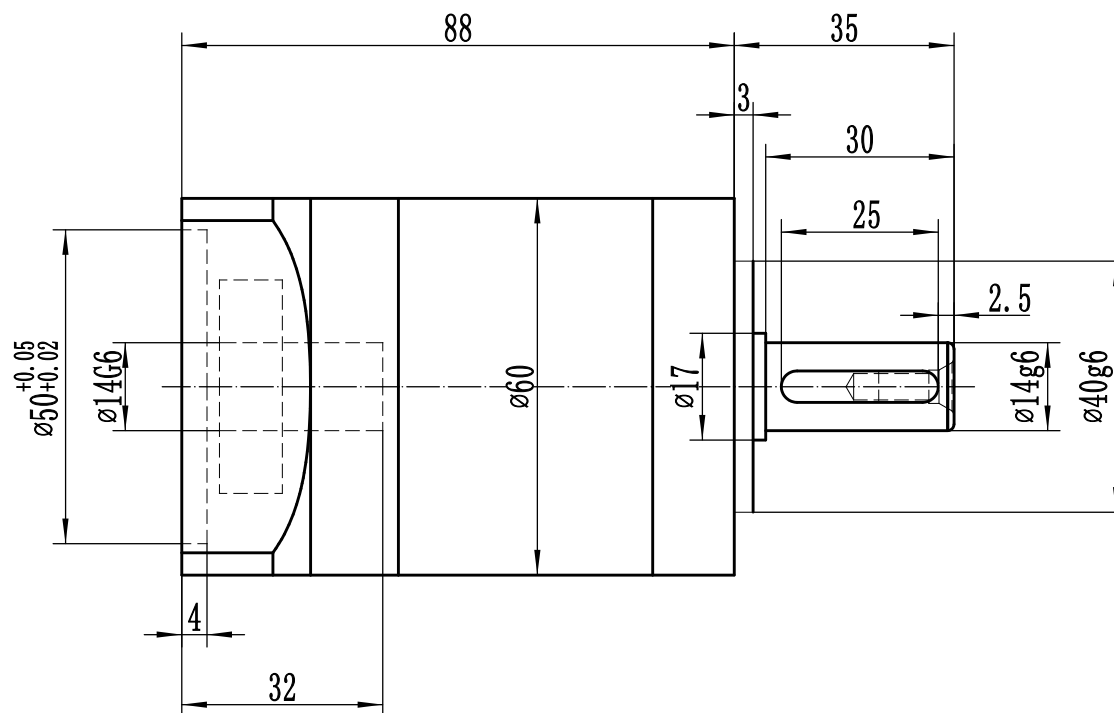
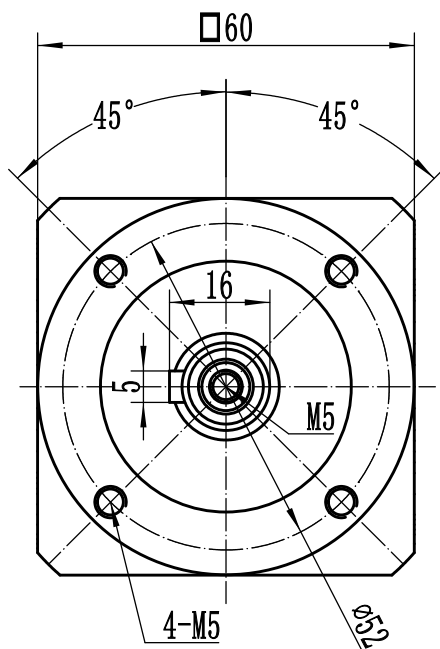


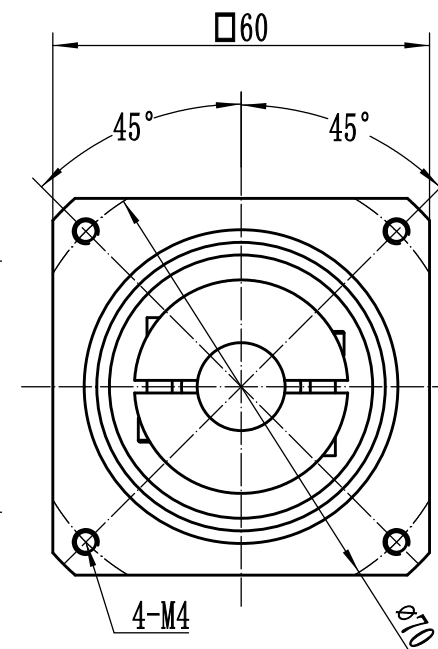
版本

A

Output



Input



Ratio	3: 1	4: 1	5: 1	6: 1	7: 1	8: 1	10: 1
Rated Output torque	18Nm	36Nm	40Nm	20Nm	20Nm	12Nm	12Nm
Allowable Axial force	220N	IP level	IP65	Lubrication	Synthetic Lubrication grease		
Allowable radial force	240N	Lifespan	20000h *	Torsional rigidity	1.8Nm/arcmin		
Rated input speed	4000rpm	Mounting position	Any directions	Efficiency	94%		
Backlash	P2≤10arcmin						
Noise Value	≤61dB	Operating Temp	-10℃~80℃				

* Continuously lifespan 10000h

WPL060 Gearbox		WPL060-L1 (400W) Drawing	
Viewing angle			
Stage Maker	Weight	Proportion	
		1:1	