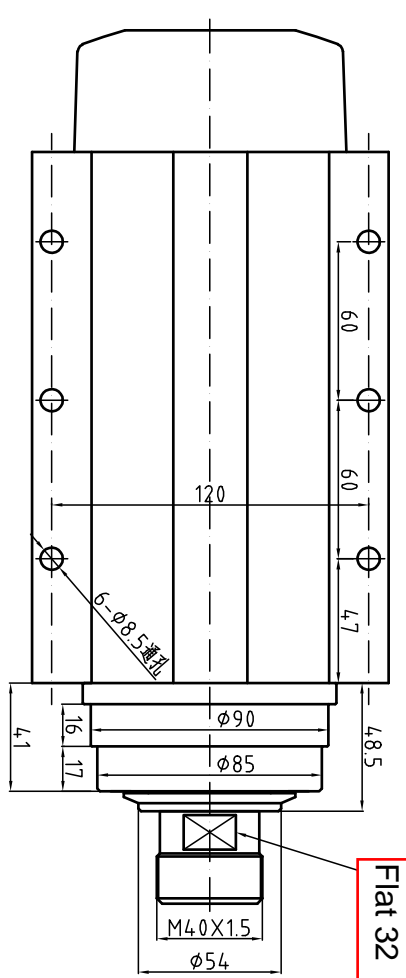
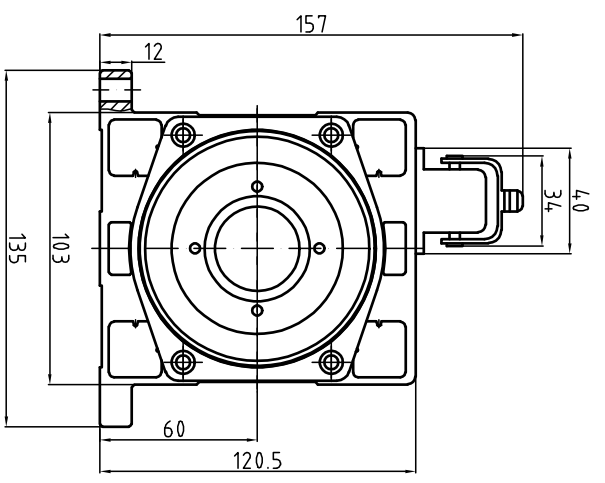
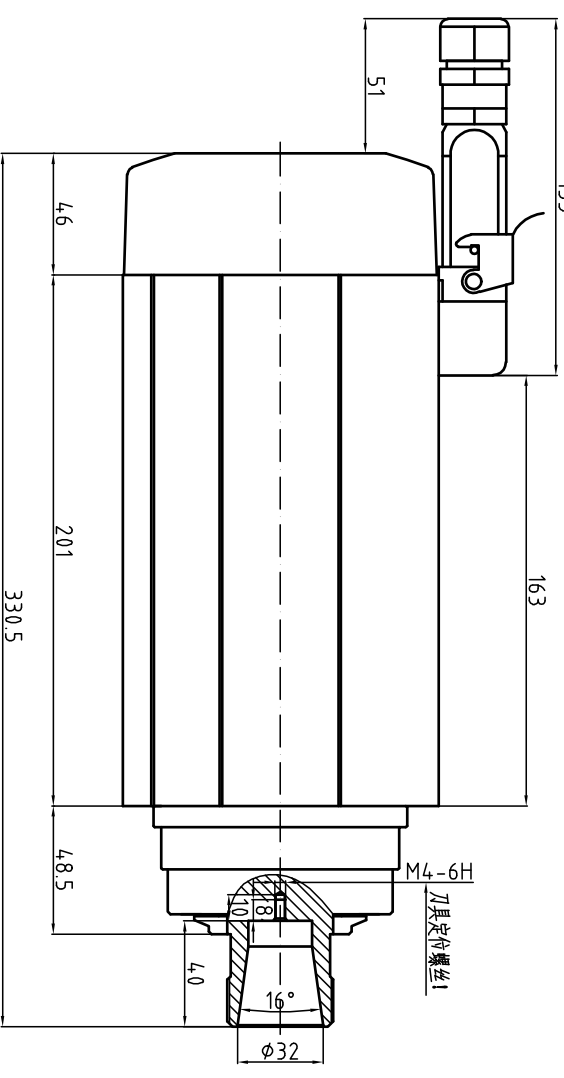


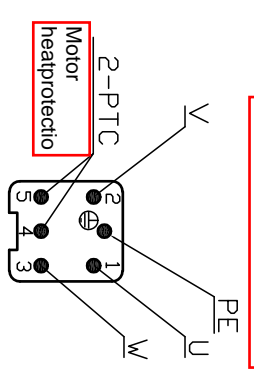
GDF60-18Z/4.5 380V Outline diagram



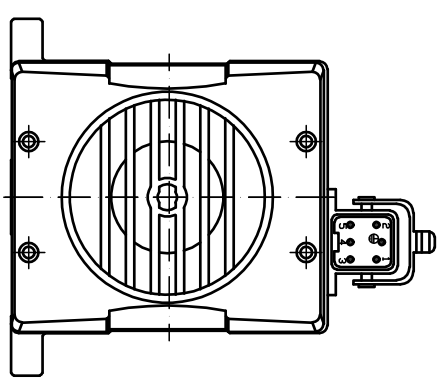
Flat 32



M4-6H
刀具定位螺丝1



Wiring description diagram



GDF60-18Z/4.5

- Power 4.5 kw
- Voltage 380 V
- Current 9.0 A
- Frequency 300 Hz
- Rotating speed 18000 r/min
- High-precision angular contact ball bearing: 2x7008C P4/2x7002C P4
- Rotating direction: anticlockwise from the shaft extension end
- Special attention: thread locking adhesive shall be applied or the spring washer shall be added to prevent the looseness during the installation of the fastening screw

- Weight: 12KG
- ER nut: ER32
- Cooling method: air cooling
- Bearing lubrication method: grease lubrication

PTC three-core thermistor parameter	
DC power supply	Maximum DC25V/100mA
-20~25℃	≤300Ω
≤90℃	≤750Ω
105℃	≤1650Ω
110℃	Rated operating temperature
115℃	≥3990Ω
≥125℃	≥12KΩ
≤160℃	Maximum storage temperature