

FK系列支撑座(圆型固定侧) Support Unit FK (fixed-side rectangular type)

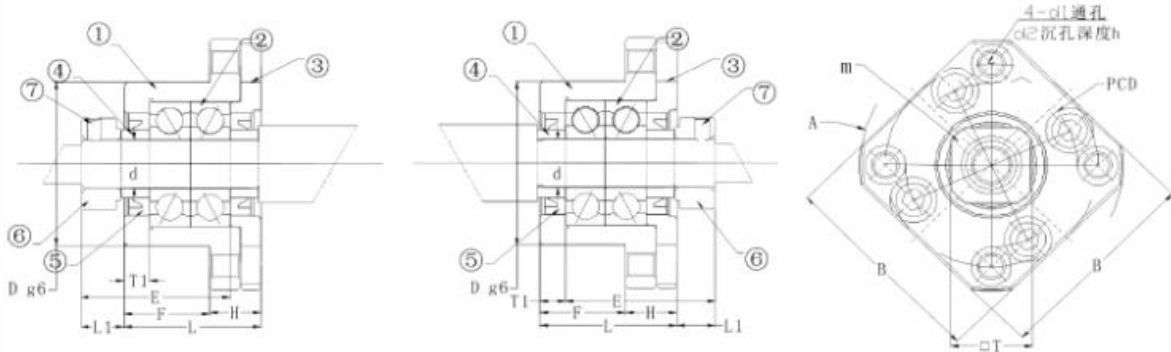


■部件详情

编号/Part No.	部件名 / Part name	数量/Qty
1	轴承座本体 / Housing	1
2	轴承 / Bearing	1组 / set
3	压板 / Holding lid	1
4	间隔圈 / Collar	2
5	轴封 / Seal	1
6	锁紧螺帽 / Lock nut	1组 / set
7	内六角止付螺母 Hexagon socket-head setscrew	2



■AK系列尺寸图



■FK系列选型参数表

单位 /Unit:mm

型号 Model No.	轴径 Shaft diameter d	L	H	F	E	D	A	P.C.D.	B	L1	T1	d1	d2	ℓ	M (细牙螺纹)	T	油封适用轴径
FK6	6	20	7	13	22.5	22	36	28	28	6	3.5	3.4	6.5	4	M6X0.75	12	10
							35					2.9	5.5	3.5		12	-
FK8	8	23	9	14	26	28	43	35	35	7	4	3.4	6.5	4	M8X1.0	14	10
																11.5	12
FK10	10	29	13	16	29.5	34	52	42	42	5.5	5	4.5	8	6	M10X1.0	17	12
																14	15
FK12	12					36	54	44	44						M12X1.0	19	15
FK15	15	32	15	17	38	40	63	50	52	$\frac{R}{10}$	6	5.5	9.5		M15X1.0	22	20
FK17	17	45	22	23	47	50	77	62	61	11	9	6.6	11	10	M17X1.0	24	22
FK20	20	52	22	30	52	57	85	70	68	10	10	6.6	11	10	M20X1.0	30	25
FK25	25	57	27	30	59	63	98	80	79	12	10	9	15	13	M25X1.5	35	31
FK30	30	62	30	32	61	75	117	95	93	11	12	11	17.5	15	M30X1.5	40	40

备注 (Note):

- C7级使用 (6字头) 深沟球轴承轴向最大间隙0.005-0.01mm。(The use of C7(prefix 6) deep groove ball bearing maximum axial clearance of 0.005-0.01mm.)
- C5级使用 (7字头) 角接触轴承经预压处理, 轴向0间隙。(The use of C5(prefix 7) by preloading angular contact bearings, axial clearance 0.)
- 轴承采用德国品牌, 采用DF组装最适宜滚珠丝杆使用。(The bearing is made of German brand, which is assembled by DF.)